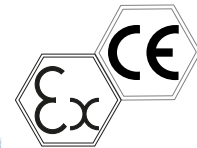




Model FT10A Metallic

AIR OPERATED DOUBLE DIAPHRAGM PUMPS



Specifications

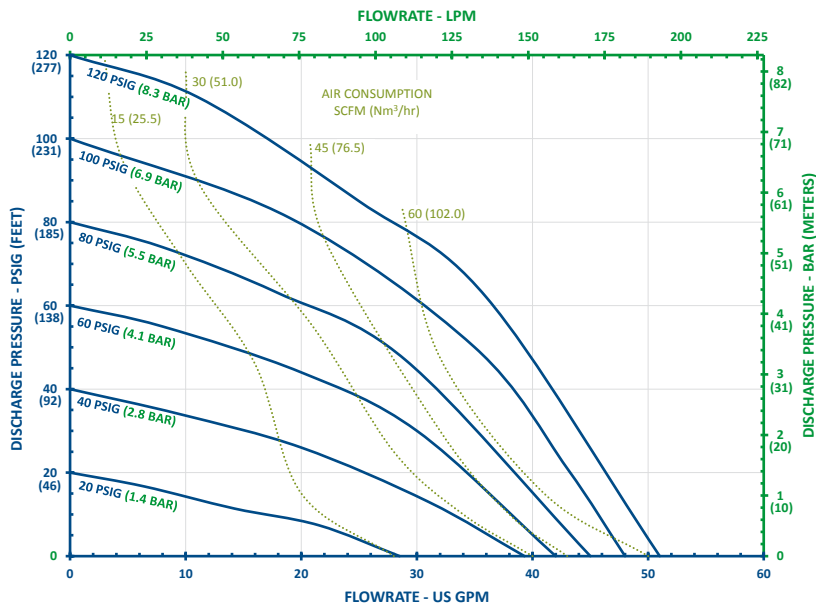
| | |
|-------------------------------|-----------------------|
| Suction & Discharge Size: | 1" x 1" |
| Standard Porting Location*: | End |
| Connection Types: | FNPT, FBSPT |
| Air Inlet & Air Exhaust Size: | 1/2" FNPT x 1/2" FNPT |

*Optional NPT or BSP threaded center port location in either horizontal or vertical position

Capabilities

| | |
|------------------------------|--------------------------|
| Maximum Flow Rate: | 51 gpm (193 lpm) |
| Maximum Air Supply Pressure: | 120 psi (8.3 bar) |
| Displacement Per Stroke: | 0.084 gal (0.32 lit) |
| Minimum Air Inlet Pressure: | 10 psig (0.7 bar) |
| Maximum Particle Size : | 0.25 in (6.4 mm) |
| Sound Pressure: | 73.6 dB(A) |
| Operating temperature: | Determined by elastomers |

Performance



Note: Full stroke diaphragm allows performance to be equal for all elastomers.

Typical Applications

- Acids & Bases
- Plating Solutions
- Wastewater
- Paints, Inks, Solvents
- Ceramic Slip and Glaze
- Lubricants and Oils

Typical Industries

- Mining
- Paints and Coatings
- Ceramics
- Pulp and Paper
- Electroplating & Anodizing
- Wastewater
- Marine
- Chemical Manufacturing & Distribution
- OEM's

CHANGE IS IN THE AIR

Construction

| | |
|----------------------|---|
| Wetted Materials: | Aluminum |
| Diaphragm Materials: | Neoprene, Santoprene™, FKM, EPDM, PTFE, Buna, Hytrel®, Polyurethane |
| Air Valve: | GFRPP, Aluminum |
| Ball Materials: | Neoprene, Buna, EPDM, FKM, Santoprene™, PTFE, 316SS |
| Seat Materials: | Aluminum, 316SS, PTFE |
| O-ring Materials: | Neoprene, Buna, EPDM, FKM, PTFE, FEP/FKM |

Santoprene™ is a registered tradename of Exxon Mobil Corp.
Hytrel® is a registered tradename of Dupont™

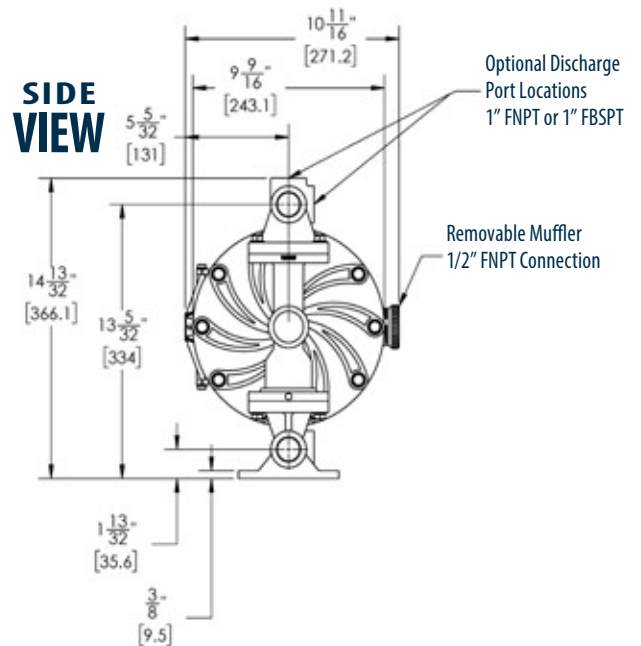
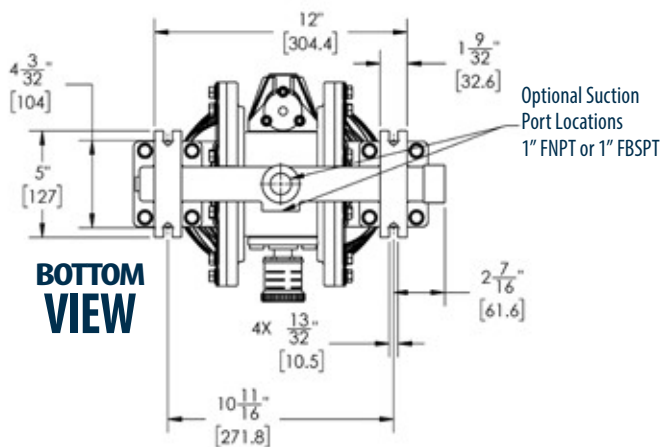
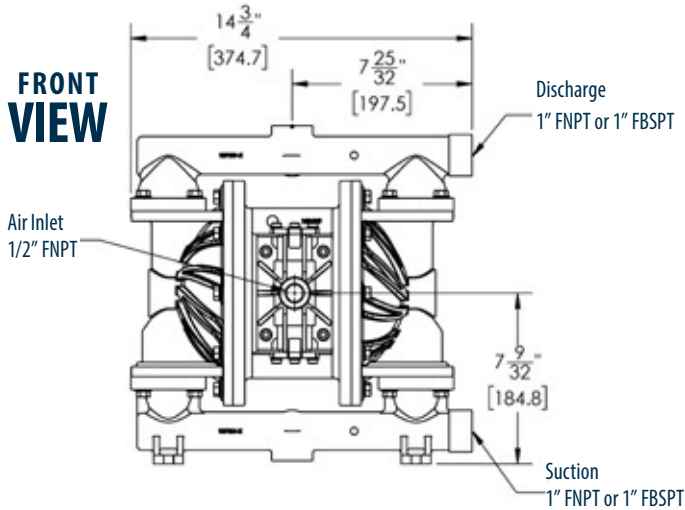
Pat. <http://ftiair.com/resources/ip/>

Dimensions

| | |
|-----------------|----------------------|
| Maximum Height: | 14-13/32 in (366 mm) |
| Maximum Width: | 14-3/4 in (375 mm) |
| Maximum Depth: | 10-11/16 in (271 mm) |

Weight

| | |
|-----------|------------------|
| Aluminum: | 34.2lb (15.5 kg) |
|-----------|------------------|



FTI AIR

921 GREENGARDEN ROAD ERIE, PA 16501
Tel: (800) 934-9384 • Fax: (814) 459-3460
www.FTIAIR.com

